



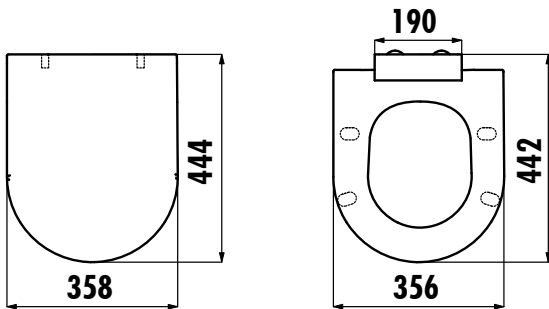
## AMASRA KC0103.02.0000E

Seat&Cover

KC0103.02.0000E	Amasra Soft Closing Seat&Cover PP
-----------------	-----------------------------------

Qty of Box	10
Weight	1,634

### TECHNICAL DRAWING



### SPECIFICATIONS



Creavit keeps its rights of making any change to the products.



Quality Management Systems



Customer Satisfaction Certificate



Environmental Management System



Occupational Safety & Health Management System

LGA

Germany Accreditation Certificate

kiwa

Netherlands Accreditation Certificate

GOST - R

Russia Accreditation Certificate

UkrSEPRO

Ukraine Accreditation Certificate



Israel Accreditation Certificate



Nigeria Accreditation Certificate



European Accreditation Certificate



Turkish Accreditation Certificate